

SSB-IIA Ton 0.1,0.2,0.3,0.5,0.8,1,2,3t (Citation: GB/T7551-2008/ OIML R60 C3).....
 Cable Length=L:6m.....
Mode Of Connection: Red(Excitation+),Black(Excitation-),Green(Signal+),White(Signal-)...

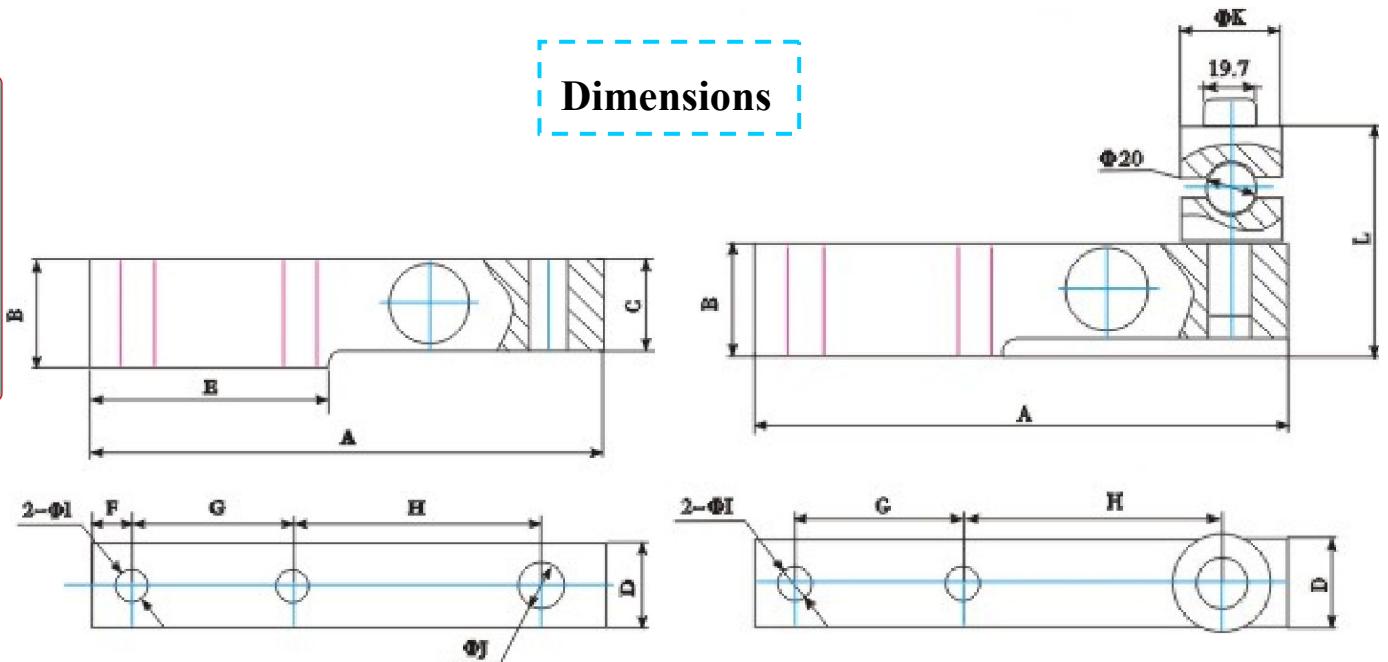


The SSB is short for single-ended shear beam load Cell, which is designed for high accuracy platform scales and a variety of process weighing applications.

- Heat-treated special Stainless steel construction for high accuracy corrosion resistance and good performance...
- Fully multilayer seal design to ensure compliance with IP67;
- High precision $\pm 0.02\%$ F.S
- Reliability super stability
- Easy installation
- Good Interchangeability

SSB-IIA

Dimensions



Rated Load(T)	A	B	C	D	E	F	G	H	I	J	K	L
0.1,0.2	138	32	29	29	64	10	40	78	12.5	12.5	38	78
0.3~0.8	138	32	29	29	64	12	40	74	12.5	12.5	38	78
1,2	200	40	34	34	91	15.5	64	98	12.5	16	38	88
3	200	40	34	34	91	15.5	64	98	16	16	38	88

Accessory



Technical Parameters

Capacity	0.1,0.2,0.3,0.5,0.8,1,2,3t	Tco	<0.02% F.S/10℃
Sensitivity	2.0±0.002 mV/V	Tc Span	<0.02% F.S/10℃
Input Resistance	400±10 Ω	Operating Temp. Range	-30~+70℃
Output Resistance	350±4 Ω	Maximum Safe Over Load	150%F.S
Insulation Resistance	≥5000M Ω	Ultimate Over Load	300%F.S
Combined Error	±0.02% F.S	Recommend Excitation	10~12V DC
Creep Error (30min)	<0.02% F.S	Maximum Excitation	15V DC
Zero Balance	<1% F.S	The degree of protection	IP67

*Specifications are subject to change without notice.

Mar.2014

SSB-IIA