

SSB-I Ton 0.2,0.3,0.5,1,2,3,5t (Citation: GB/T7551-2008/ OIML R60 C3).....
 Cable Length=L:6m.....
Mode Of Connection: Red(Excitation+),Black(Excitation-),Green(Signal+),White(Signal-)...

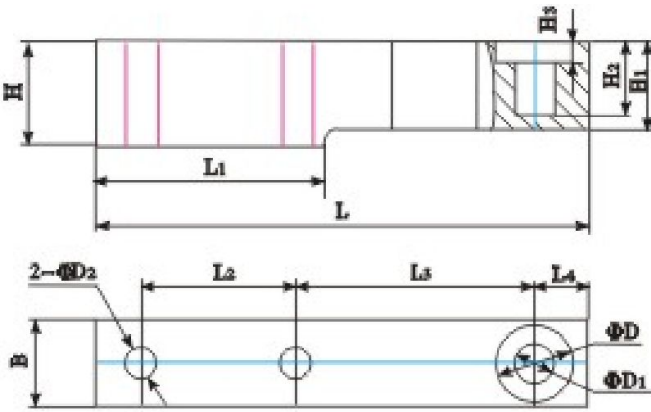


The SSB is short for single-ended shear beam load Cell, which is designed for high accuracy platform scales and a variety of process weighing applications.

- Heat-treated special Stainless steel construction for high accuracy corrosion resistance and good performance...
- Fully multilayer seal design to ensure compliance with IP67;
- High precision $\pm 0.02\%$ F.S
- Reliability super stability
- Easy installation
- Good Interchangeability

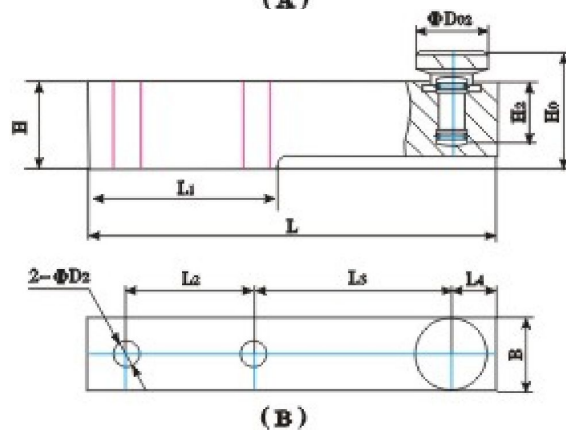
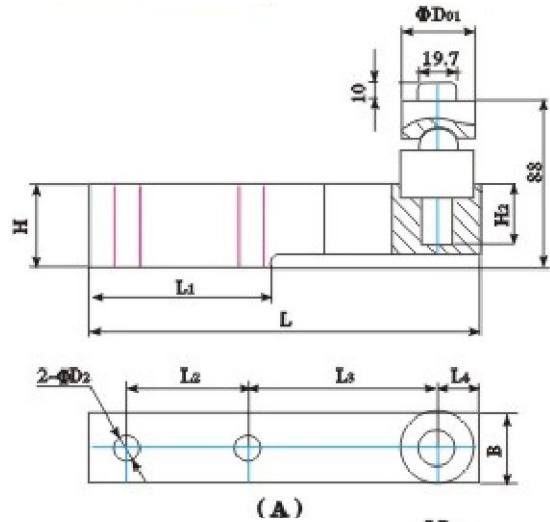
Dimensions

SSB-I



Accessories

A B



Rated Load(T)	L	L1	L2	L3	L4	B	H	H0	H1	H2	H3	D	D01	D02	D1	D2
0.2~3	203	95	64	98	22	36.6	43	59.5	36.6	30.5	8	32	38	35	16	13
5	235	110	66	124	22	48	52	87	48	30	12	38	48	42	22	20

Technical Parameters

Capacity	0.2,0.3,0.5,1,2,3,5t	Tco	<0.02% F.S/10℃
Sensitivity	2.0±0.002 mV/V	Tc Span	<0.02% F.S/10℃
Input Resistance	400±10 Ω	Operating Temp. Range	-30~+70℃
Output Resistance	350±4 Ω	Maximum Safe Over Load	150%F.S
Insulation Resistance	≥5000M Ω	Ultimate Over Load	300%F.S
Combined Error	±0.02% F.S	Recommend Excitation	10~12V DC
Creep Error (30min)	<0.02% F.S	Maximum Excitation	15V DC
Zero Balance	<1% F.S	The degree of protection	IP67

*Specifications are subject to change without notice.

Mar.2014

SSB-I