

**SSB-II Ton 0.1,0.2,0.3,0.5,0.8,1,2,3t** (Citation: GB/T7551-2008/ OIML R60 C3) .....  
 Cable Length=L:6m.....  
**Mode Of Connection:** Red(Excitation+),Black(Excitation-),Green(Signal+),White(Signal-)...

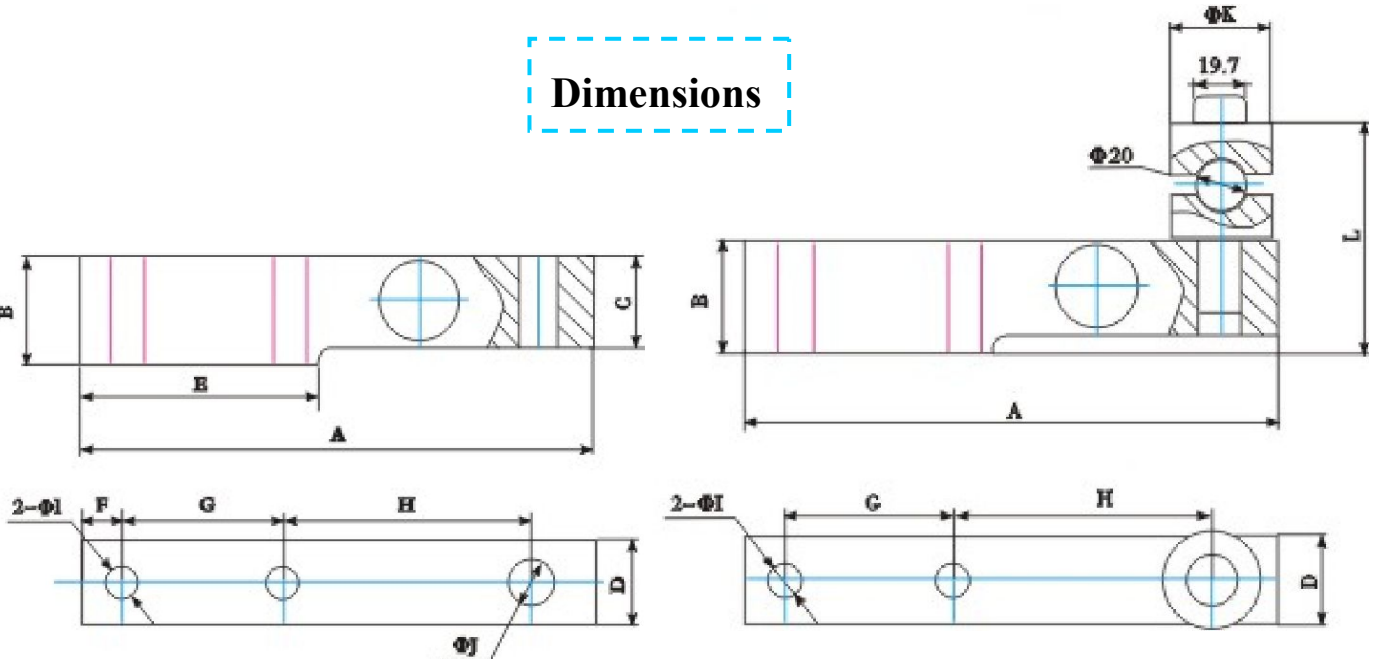


The SSB is short for single-ended shear beam load Cell, which is designed for high accuracy platform scales and a variety of process weighing applications.

- Heat-treated special Stainless steel construction for high accuracy corrosion resistance and good performance...
- Fully multilayer seal design to ensure compliance with IP67;
- High precision  $\pm 0.02\%$  F.S
- Reliability super stability
- Easy installation
- Good Interchangeability

**SSB-II**

**Dimensions**



Rated Load(T)	A	B	C	D	E	F	G	H	I	J	K	L
0.1,0.2	138	32	29	29	64	10	40	78	12.5	12.5	38	78
0.3~0.8	138	32	29	29	64	12	40	74	12.5	12.5	38	78
1,2	200	40	34	34	91	15.5	64	98	12.5	16	38	88
3	200	40	34	34	91	15.5	64	98	16	16	38	88

**Accessory**



## Technical Parameters

<b>Capacity</b>	0.1,0.2,0.3,0.5,0.8,1,2,3t	<b>Tco</b>	<0.02% F.S/10℃
<b>Sensitivity</b>	2.0±0.002 mV/V	<b>Tc Span</b>	<0.02% F.S/10℃
<b>Input Resistance</b>	400±10 Ω	<b>Operating Temp. Range</b>	-30~+70℃
<b>Output Resistance</b>	350±4 Ω	<b>Maximum Safe Over Load</b>	150%F.S
<b>Insulation Resistance</b>	≥5000MΩ	<b>Ultimate Over Load</b>	300%F.S
<b>Combined Error</b>	±0.02% F.S	<b>Recommend Excitation</b>	10~12V DC
<b>Creep Error (30min)</b>	<0.02% F.S	<b>Maximum Excitation</b>	15V DC
<b>Zero Balance</b>	<1% F.S	<b>The degree of protection</b>	IP67

\*Specifications are subject to change without notice.

Mar.2014