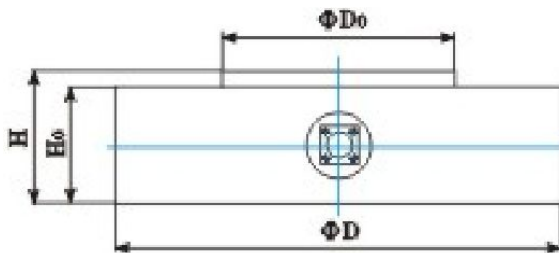


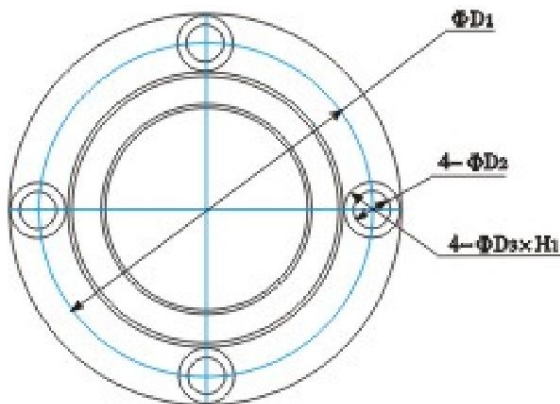
Silo Weighing System Model LC-L2



Dimensions



LC-L2

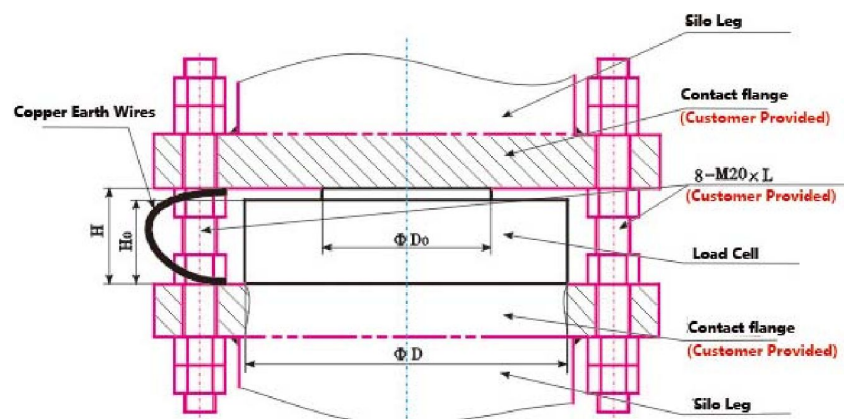


- Compacted in design ,Wheel structure, multilayer seal design to ensure compliance with IP67;
- Heat-treated special alloy steel load cell Bodies with nickel plated,good performance.
- Stay bolt prevents the equipment from falling down.
- Easy to install and maintain which take less time from machine halt.

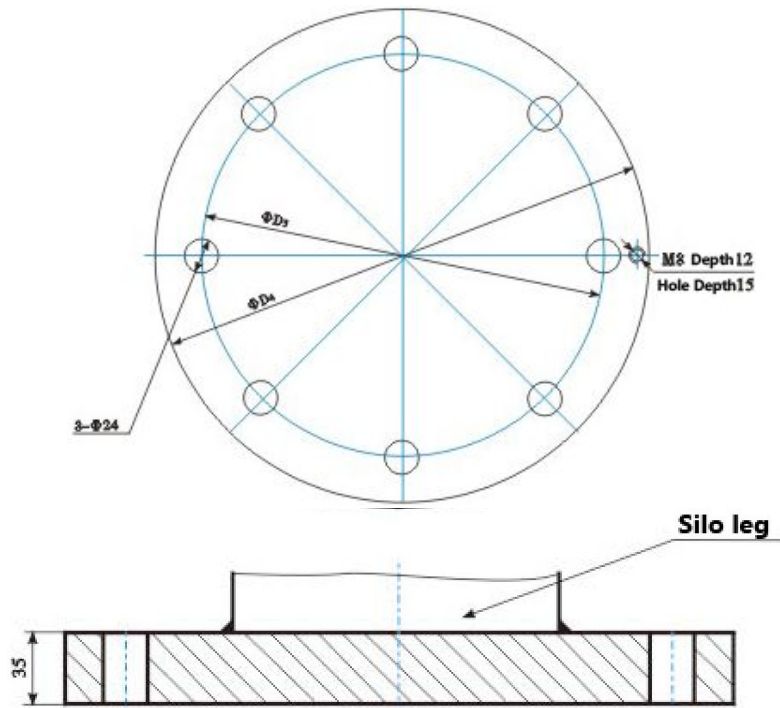
Parameters

Rated Load(T)	40,75,100,150
Sensitivity	2.0mV/V
Input Resistance	700±10 Ω
Output Resistance	700±5 Ω
Combined Precision	±0.1%F.S
Working Temperature	(-30~+70)°C
Recommended Voltage	(6~12) V (DC)
Cable Length	20m
Mode of Connection	Red(Excitation+) Black(Excitation-) Green(Signal+) White(Signal-)

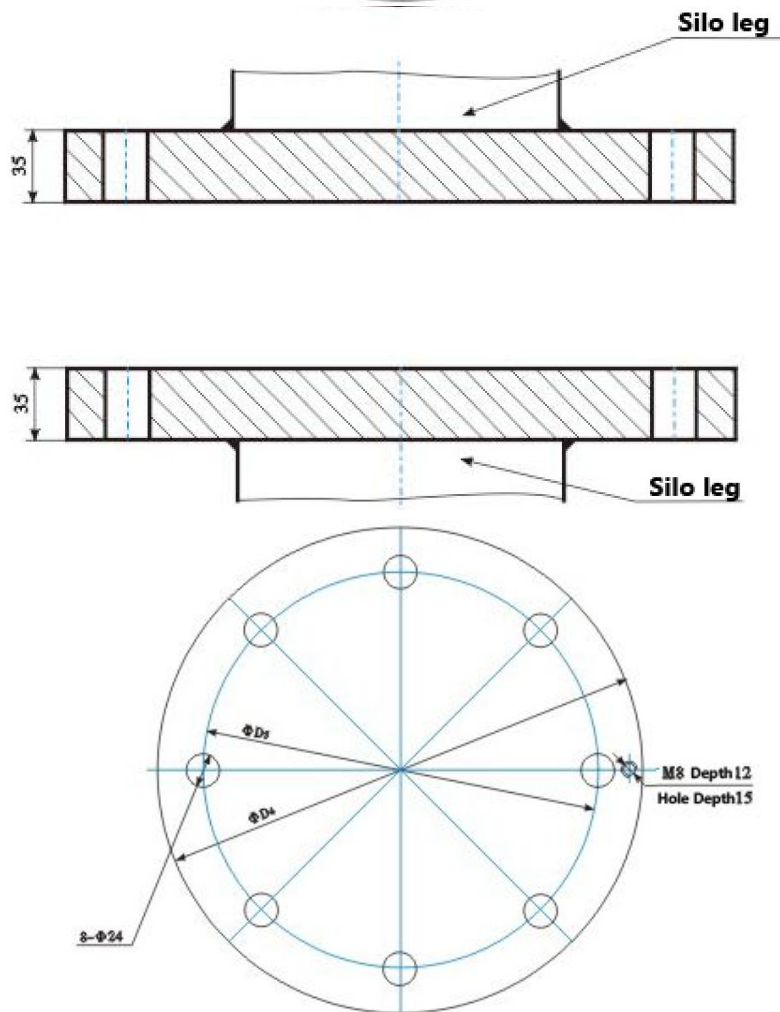
Installation Diagrams



Upper contact flange
(Customer provided)



Bottom contact flange
(Customer provided)



LC-L2

Rated Load(T)	H	H0	H1	D	D0	D1	D2	D3	D4	D5	D6	L	Silo Capacity(T)
40	70	54	17	210	110	180	18	26	330	270	219	200	100
75	70	54	17	210	110	180	18	26	400	340	273	200	150~200
100	80	64	17	280	140	244	18	26	440	380	325	220	250~300
150	80	64	17	280	140	244	18	26	440	380	325	220	400~500

*Specifications are subject to change without notice.

Mar.2014