

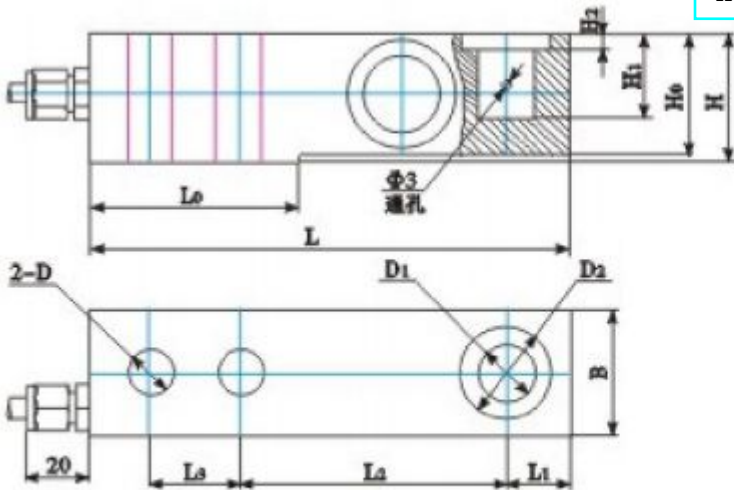
**SSB-III Ton 0.05,0.1,0.2,0.3,0.5,1,1.5,2,3,5t** (Citation: GB/T7551-2008/ OIML R60 C3).....  
 Cable Length=L:6m.....  
**Mode Of Connection:** Red(Excitation+),Black(Excitation-),Green(Signal+),White(Signal-)...



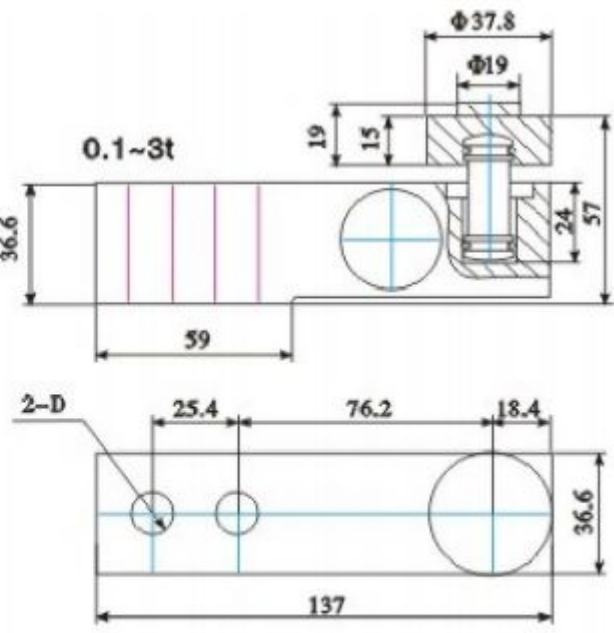
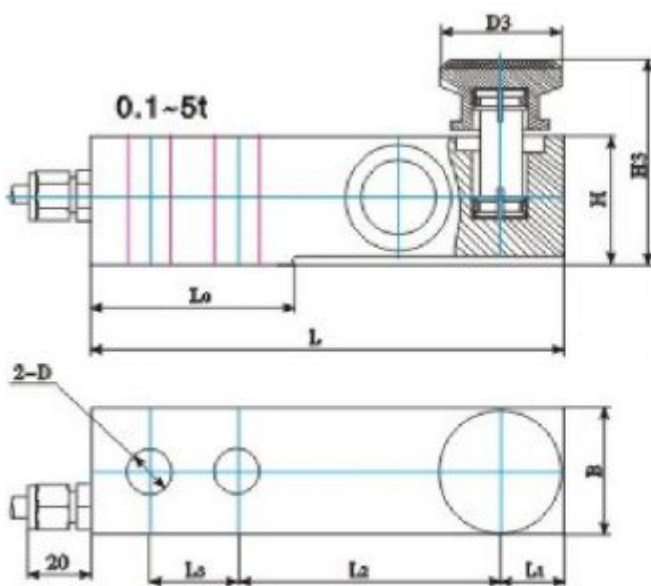
The SSB is short for single-ended shear beam load Cell, which is designed for high accuracy platform scales and a variety of process weighing applications.

- Heat-treated special Stainless steel construction for high accuracy corrosion resistance and good performance...
- Fully multilayer seal and laser welded design to ensure compliance with IP68;
- High precision  $\pm 0.02\%$  F.S
- Reliability super stability
- Easy installation
- Good Interchangeability

SSB-III



Dimensions



(A)

(B)

| Rated Load(T) | B    | L     | L0   | L1   | L2   | L3   | H    | H0   | H1   | H2  | H3   | D   | D1  | D2  | D3  |
|---------------|------|-------|------|------|------|------|------|------|------|-----|------|-----|-----|-----|-----|
| 0.05~2        | 36.6 | 137   | 59   | 18.4 | 76.2 | 25.4 | 36.6 | 34.5 | 24   | 4.2 | 59.6 | Φ13 | Φ16 | Φ26 | Φ35 |
| 3             | 36.6 | 137   | 59   | 18.4 | 76.2 | 25.4 | 36.6 | 34.5 | 24   | 4.2 | 59.6 | Φ15 | Φ16 | Φ26 | Φ35 |
| 3(SBH)        | 39   | 139.7 | 57.9 | 18.4 | 79.2 | 25.4 | 36.6 | 34.5 | 23   | 9.5 | 58   | Φ15 | Φ16 | Φ22 | Φ35 |
| 5             | 43   | 175   | 77.6 | 21.4 | 95.2 | 38.1 | 43   | 40   | 29.5 | 11  | 71   | Φ19 | Φ22 | Φ30 | Φ42 |

### Accessory

A

B



### Technical Parameters

|                              |                                   |                                 |                |
|------------------------------|-----------------------------------|---------------------------------|----------------|
| <b>Capacity</b>              | 0.05,0.1,0.2,0.3,0.5,1,1.5,2,3,5t | <b>Tco</b>                      | <0.02% F.S/10℃ |
| <b>Sensitivity</b>           | 2.0±0.002 mV/V                    | <b>Tc Span</b>                  | <0.02% F.S/10℃ |
| <b>Input Resistance</b>      | 400±10 Ω                          | <b>Operating Temp. Range</b>    | -30~+70℃       |
| <b>Output Resistance</b>     | 350±4 Ω                           | <b>Maximum Safe Over Load</b>   | 150%F.S        |
| <b>Insulation Resistance</b> | ≥5000M Ω                          | <b>Ultimate Over Load</b>       | 300%F.S        |
| <b>Combined Error</b>        | ±0.02% F.S                        | <b>Recommend Excitation</b>     | 10~12V DC      |
| <b>Creep Error (30min)</b>   | <0.02% F.S                        | <b>Maximum Excitation</b>       | 15V DC         |
| <b>Zero Balance</b>          | <1% F.S                           | <b>The degree of protection</b> | IP68           |

SSB-III

\*Specifications are subject to change without notice.

Jan.2016