

Silo Weighing System

Model LC-K2

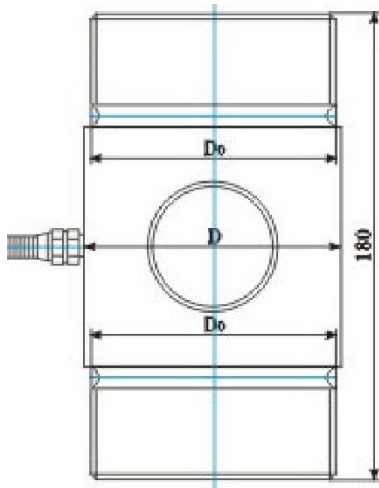
--Compacted and Safety in design,multilayer seal design to ensure compliance with IP67.

--Heat-treated special alloy steel load cell Bodies with nickel plated,good performance.

--Very easy to install and maintain which take less time from machine halt.



Dimensions

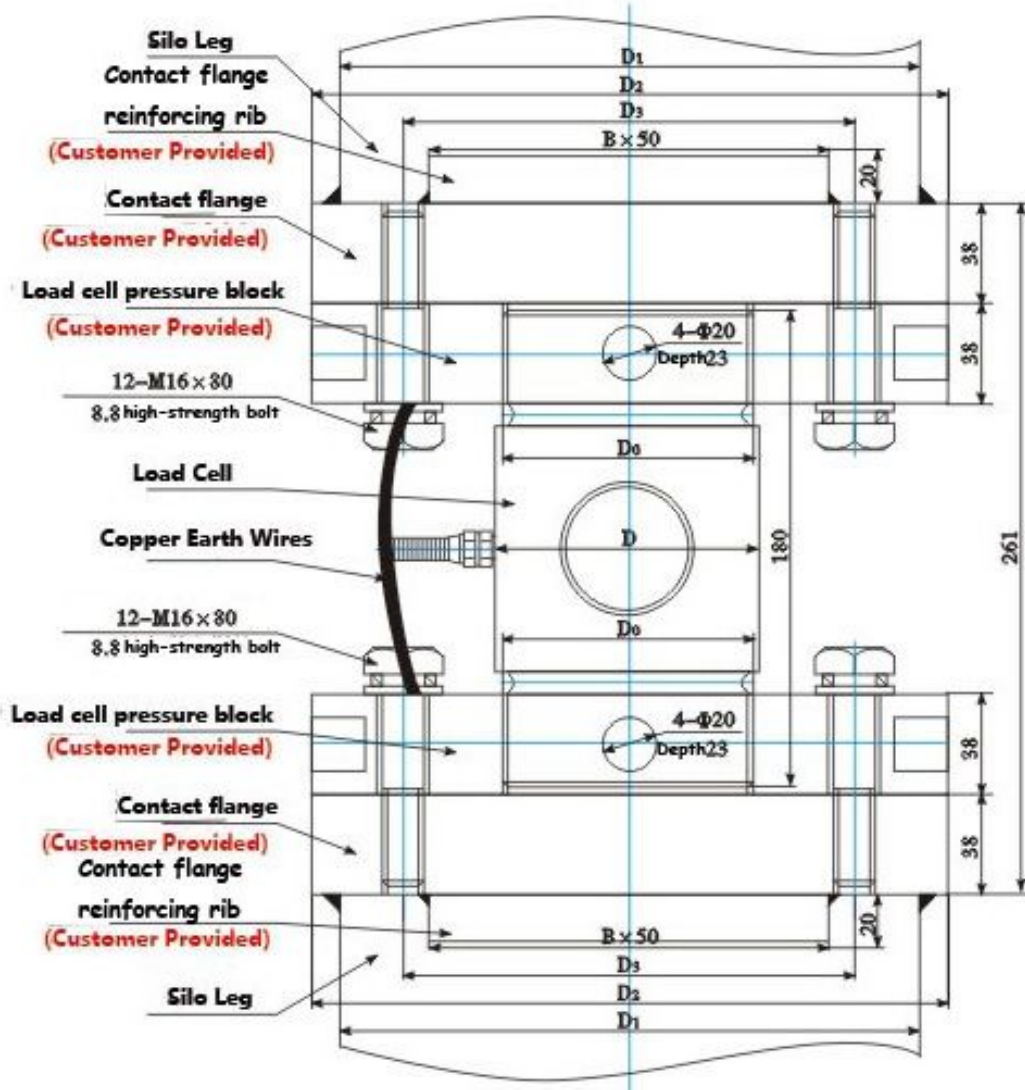


Parameters

Rated Load(T)	40,75,100
Sensitivity	2.0mV/V
Input Resistance	700±10Ω
Output Resistance	700±5Ω
Combined Precision	±0.1%F.S
Working Temperature	(-30~+70)°C
Recommended Voltage	(6~12) V (DC)
Cable Length	20m
Mode of Connection	Red(Excitation+) Black(Excitation-) Green(Signal+) White(Signal-)

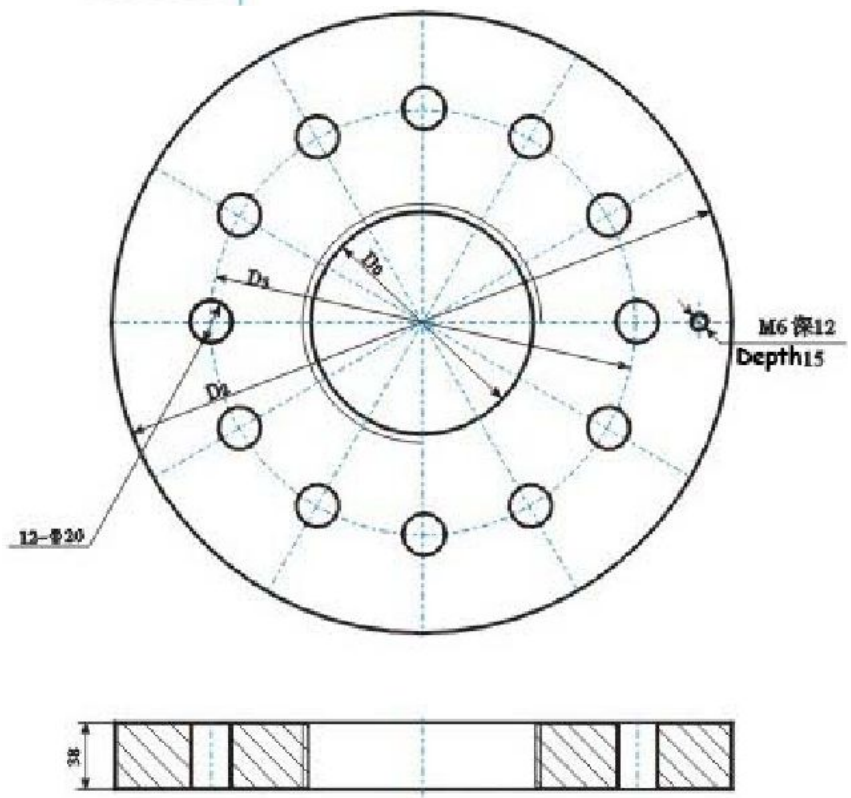
Installation Diagrams

Rated Load(T)	D	D0	D1	D2	D3	B	Silo Capacity
40	Φ 100	M95×2	Φ 219	Φ 240	Φ 170	---	100T
75	Φ 100	M95×2	Φ 273	Φ 293	Φ 220	200	150~200T
100	Φ 115	M110×2	Φ 325	Φ 345	Φ 275	250	250~300T

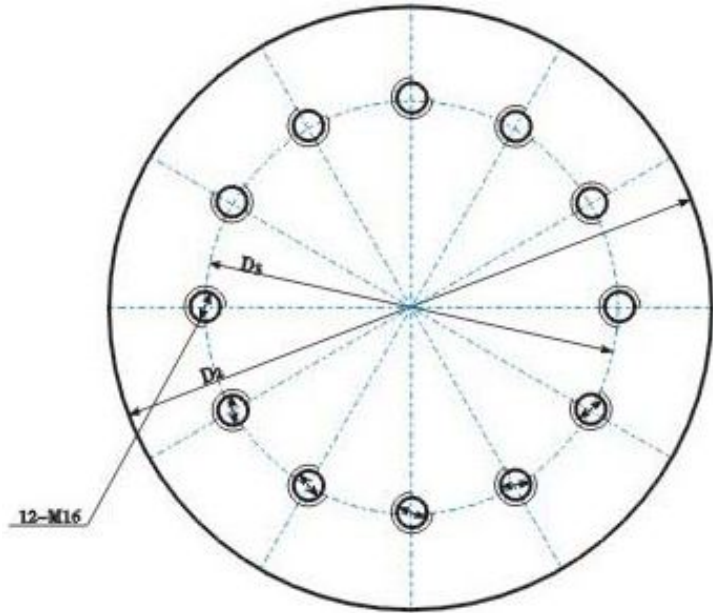
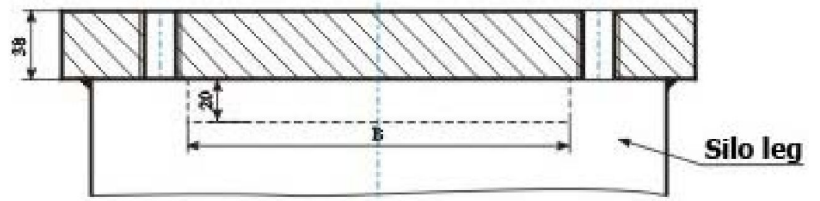


LC-K2

Pressure Blocks
(Customer provided)



Contact Flanges
(Customer provided)



LC-K2

*Specifications are subject to change without notice.

Mar.2014